

## F81

The F81 loudspeaker delivers great sound and performance from a compact enclosure. In common with the F101, the smaller F81 also features excellent definition and vocal intelligibility. It makes a great choice for use in distributed systems and ancillary zones as well as allowing home studios and smaller venues to benefit from the exceptional clarity and purity of Funktion One sound.

If additional bass is required, the F81s are ideally complemented with our MB112, MB210LP or smaller BR enclosures.



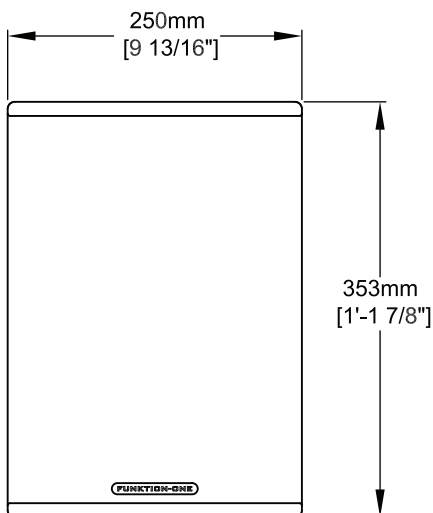
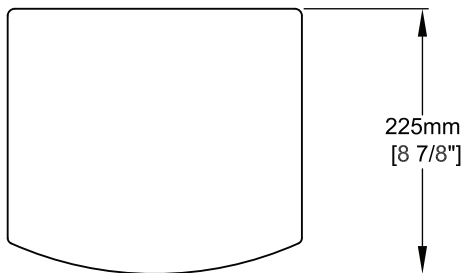
### Features:

- Compact enclosure with high output
- Wide dispersion
- 8" and 1" drivers optimised to Funktion One specification.
- Excellent sensitivity
- High passive crossover point to HF driver for low distortion
- Choice of Speakon or installation connectors
- M6 mounting and attachment points
- Curved powder coated steel grill

Driver	Sensitivity (1W at 1m)	Power (rms*)	Nominal Impedance
8" 1"	98dB	100W	8Ω

\*AES rated

Frequency Response ±3dB:	95Hz - 19kHz
Weight:	5kg (11.5lbs)
Nominal Dispersion:	90° conical
Connectors:	2 x Speakon NL4 or Phoenix installation connectors



Fitted with two Speakon NL4s or The Phoenix installation connector, complete with cable plug.

