

F118 Mk2

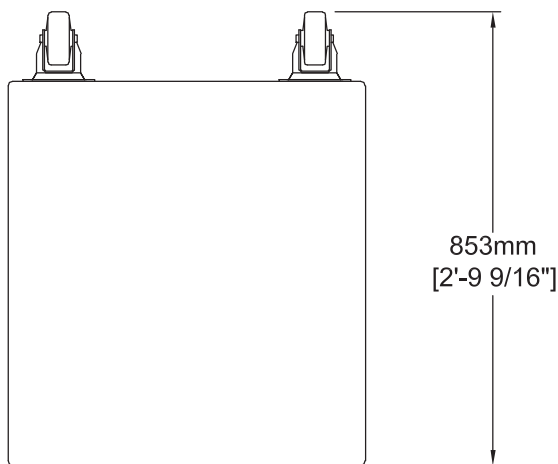
The F118 Mk2 is the single 18" version of the F218 offering a more compact horn loaded enclosure. In common with the F218, the Mark 2 version brings refined loading, improved heat dissipation and an updated driver specification. It provides strong, well-defined, clean bass from a small and manageable package. The F118 can be supplied with an optional pole mount for use with a wide range of mid-high products including the F101, F1201, F88, R1 and R2SH. An installation version of this enclosure with flying points is also available; which can be effectively used to provide bass extension to products such as the AX88.



Shown with optional stainless steel throat grill

Features:

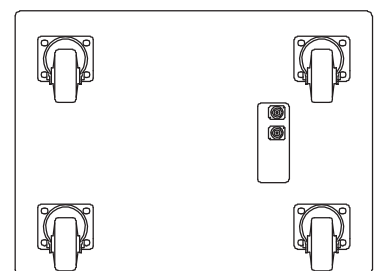
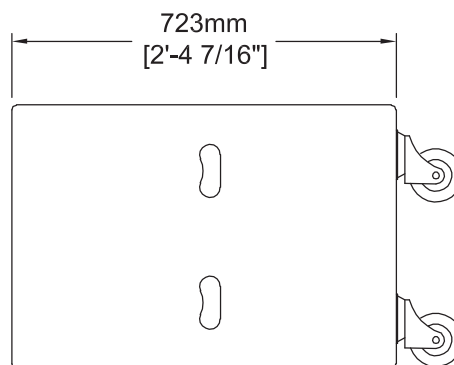
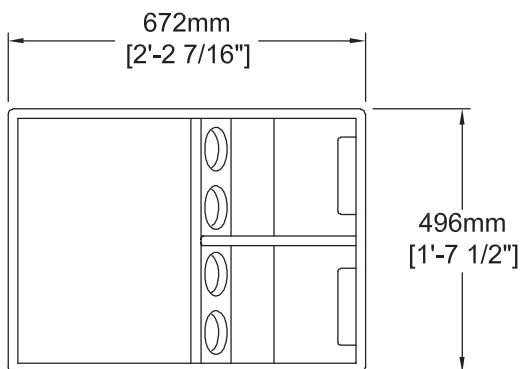
- Proven loading design with Andrews' tuning
- Powerful and compact
- Funktion One designed driver
- New driver orientation provides improved cooling
- Integral handles
- Optional throat grill
- Optional wheels
- Optional pole mount (35mm diameter)



Driver	Sensitivity (1W at 1m)	Power (rms*)	Nominal Impedance
18"	103dB	450W	8Ω

Please check website for latest crossover settings
*AES rated

Frequency Response ±3dB:	50Hz - 225Hz
Weight (ceramic magnets):	50kg (110lbs)
(neodymium magnets):	45kg (99lbs)
Construction:	18mm Birch Ply
Connectors:	2 x Speakon NL4



Wheels optional

