

## Evo7 T

The Evolution 7T is a very high intensity touring loudspeaker, fully horn-loaded with 15" mid-bass, 10" Funktion One signature mid-range and a 1.4" compression driver. The Evolution 7T has 40 degree nominal horizontal dispersion and physically arrays at 30 degrees, three wide giving smooth coverage to 100 degrees. The Evo7T, 7TH and 7TL-215 enclosures all share the same integrated flying system for fast, accurate and effective rigging or ground-stack deployment. Perfect for both Live and Dance use, Evo7T touring systems offer state-of-the-art Funktion One sound quality.



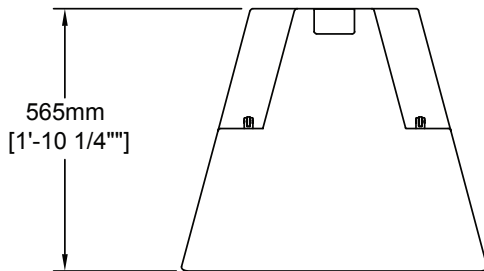
### Features:

- Fully horn loaded for high efficiency
- Three way
- Funktion-one designed drivers
- Intergrated flying and ground-stack system
- Low weight Neodymium magnets throughout
- Optional Wheelboard
- Optional foam-backed steel grill for discrete appearance

Driver	Operating Band	Sensitivity (1 W at 1m)	Power (rms)	Nominal Impedance
15"	70 - 200Hz	103 dB	400W	8Ω
10"	200 - 4kHz	108 dB	250W	16Ω
1.4"	4kHz - up	109 dB	75W	32Ω

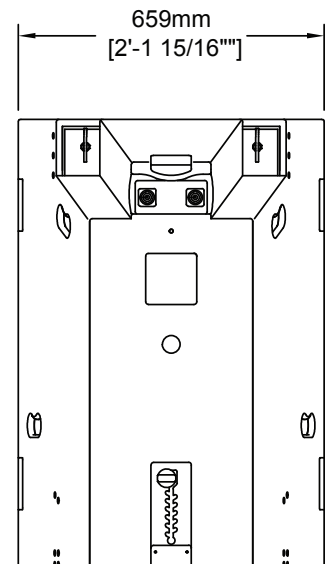
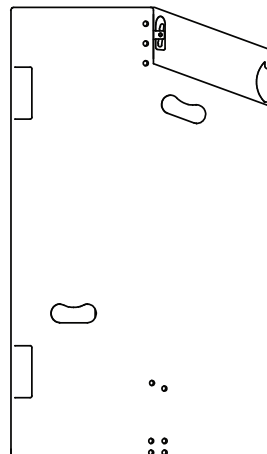
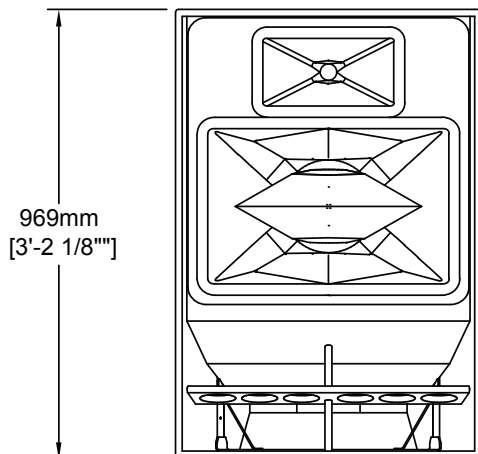
*\*Please check website for latest crossover settings*

*\*\*AES rated*



Frequency Response  $\pm 3\text{dB}$ :  
 Weight (without wheelboard):  
 Connectors:

70Hz - 18kHz  
 70kg (154lbs)  
 2 x Speakon NL8



FUNKTION-ONE®

Focused on sonic quality

Evo7 T



[www.funktion-one.com](http://www.funktion-one.com)

+44 (0) 1306 712820 ©Funktion One Research Limited 2017