

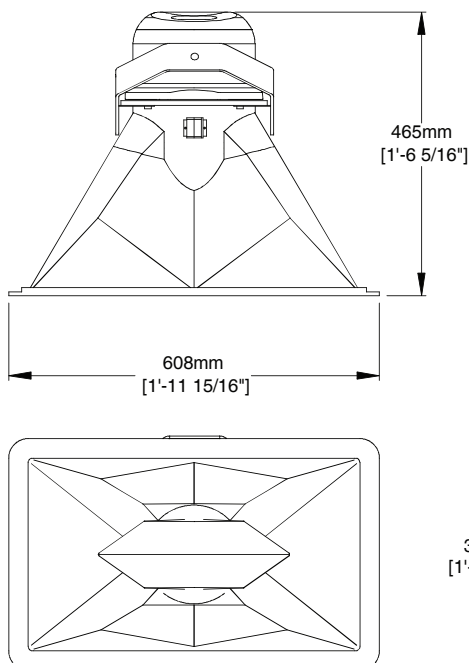
AX8

The AX8 is a high-efficiency, horn-loaded loudspeaker designed specifically for high intelligibility speech reproduction and reinforcement applications. Most loudspeaker products on the market use a metal diaphragm compression driver for frequencies of 1-2kHz and above (where human hearing is most sensitive). These metal diaphragm drivers have relatively high mid-range distortion and sound harsh and aggressive. Conversely, the AX8 utilises Funktion-One's unique cone midrange technology. A specialised, horn-loaded, single 8" driver covers the entire vocal band from 180Hz to 10kHz with much lower distortion than is usually possible. The purity of Funktion-One's design approach also means that the AX8 does not require corrective equalisation which leads to a particularly even phase response and maximised headroom. The resulting sound from the AX8 is clear, natural and pleasant as well as feeling perceptibly close to the listener, even at a distance. The AX8's waveguide is constructed from robust composite GRP and gives good dispersion control and physical longevity. All fixings are stainless steel and the loudspeaker can be specifically treated for outdoor performance on request. It includes a strong mounting yoke. The product is ideally suited to applications including Railway Stations, Airports, Sporting Venues and any other public places requiring high intelligibility sound. The AX8 has also been deployed successfully on minarets for clearly relaying the call to prayer.



Features:

- Exceptional speech intelligibility
- Wide bandwidth 8"
- Lightweight and durable
- Funktion One designed weather resistant driver
- Stainless steel mounting yoke and fixings
- Normally fitted with length of tough PU sheathed cable
- 100V Line version available



Driver	Sensitivity (1W at 1m)	Power (rms*)	Nominal Impedance
8" <i>*AES rated</i>	108dB	200W	16Ω

Frequency Response ±3dB:

Weight:

Nominal Dispersion:

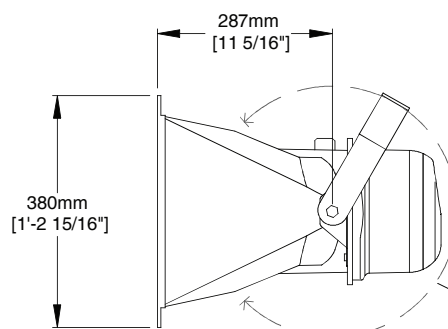
Connectors:

180Hz - 8kHz

13.5kg (30lbs)

60° Horizontal x 25° Vertical

Glanded captive lead



Yoke clears drivers so
may be fixed any way-up.

