

## Ground Stack System for Evo Enclosures

### GSB (Ground Stack Board)

A choice of different boards is available for different stack configurations. These are all made from 18mm Finnish Birch Ply and finished with Funktion One violet paint.

### GSM-Clasp

'S-Profile' clasps slide onto underside of Ground Stack Board and hook round top front edge of bass enclosure. Two of the same clasps are used the other way up to hold the lower front edge of each Evo6/7 in place (these can be slid into position once the board has been attached to the bass)

### GSM-Clamp

Clamps slide onto the underside of the board and are used to secure the board to the rear of the bass (these spring against the clasps used on the front). For permanent installations, they can be bolted to the dedicated T-Nuts on the rear of the bass, although this is not necessary for touring use. Most ground stack boards have alternative routed rear positions to appropriately locate the clamps to the depth of different models of Funktion One bass.

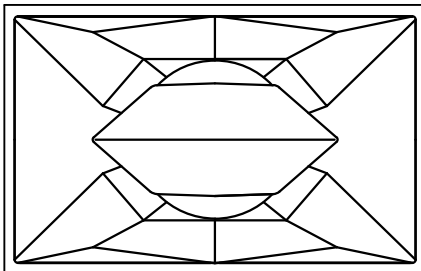
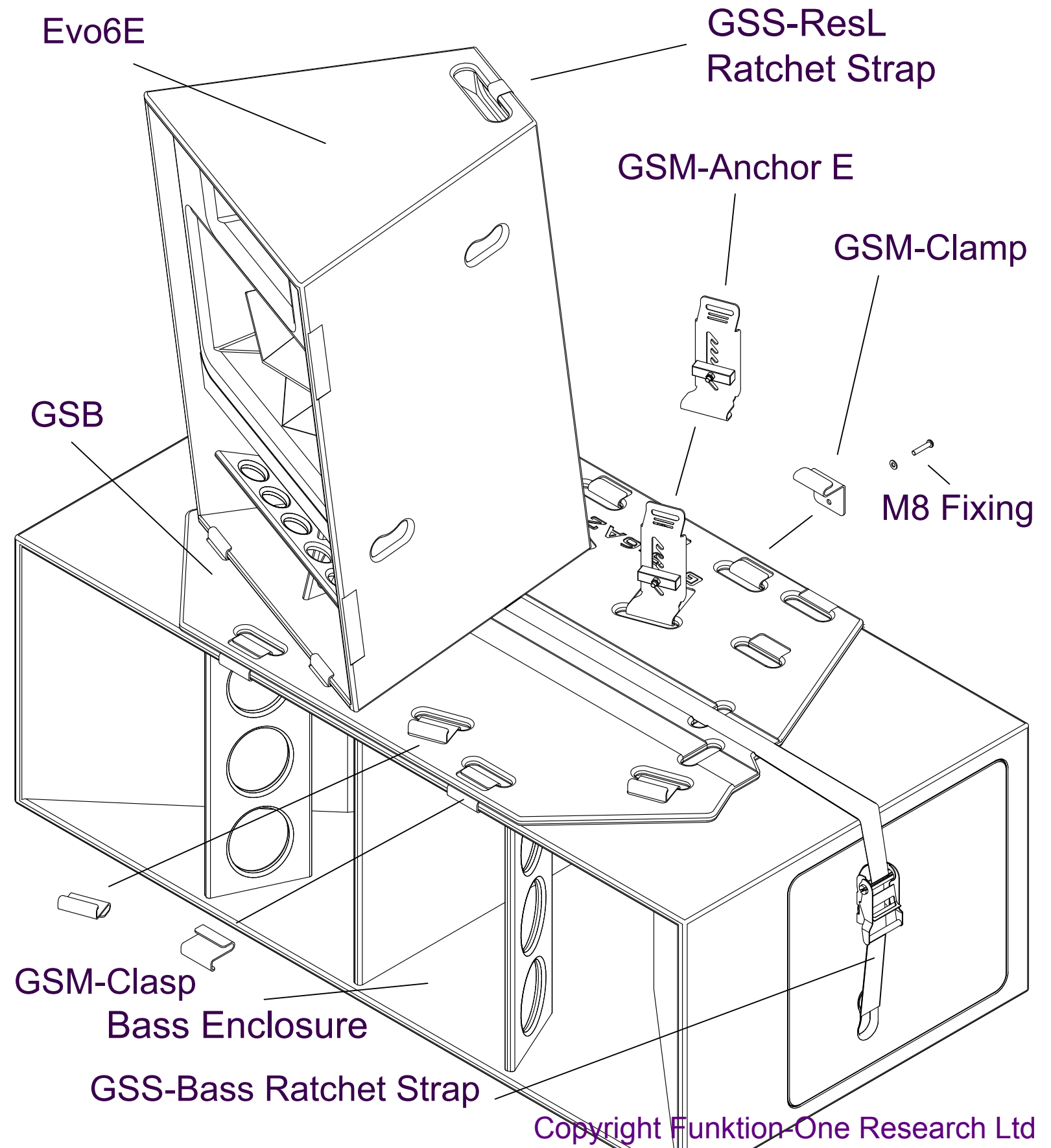
### GSS-Bass

Once the board is located and secure with the Clasps and Clamps fitted to the underside, the GSS-Bass Strap is added. The ratchet strap is terminated with metal ovals which locate in the lowest bass handles on either side of the stack. Once tight, the strap secures the bass enclosures and board together.

### GSM-Anchor E

Originally designed for use with the Resolution E enclosures, which do not have the built in "biscomatic", the E-Anchor facilitates external downward tilt angle adjustment. The rear of the enclosure rests on a captive block which can easily be moved to different heights for different downward angles. Please note, only one row of E enclosures can be deployed in this way. A **GSS-ResE** strap is required for each anchor position (see next sheet). The E-Anchor also presents an alternative choice for touring enclosure users and facilitates more declination than with the GSM-Anchor described below (in this case, GSS-ResT straps would be used).

All dimensions in mm and inches



# FUNKTION-ONE

Hoyle, Horsham Road, Beare Green, Dorking, Surrey, RH5 4PS, England

Phone: +44 (0)1306 712820

Fax: +44 (0)1306 711240



mail@funktion-one.com

www.funktion-one.com

Accessories for: Ground Stack System for Evo Enclosures

Ground Stack assembly 1

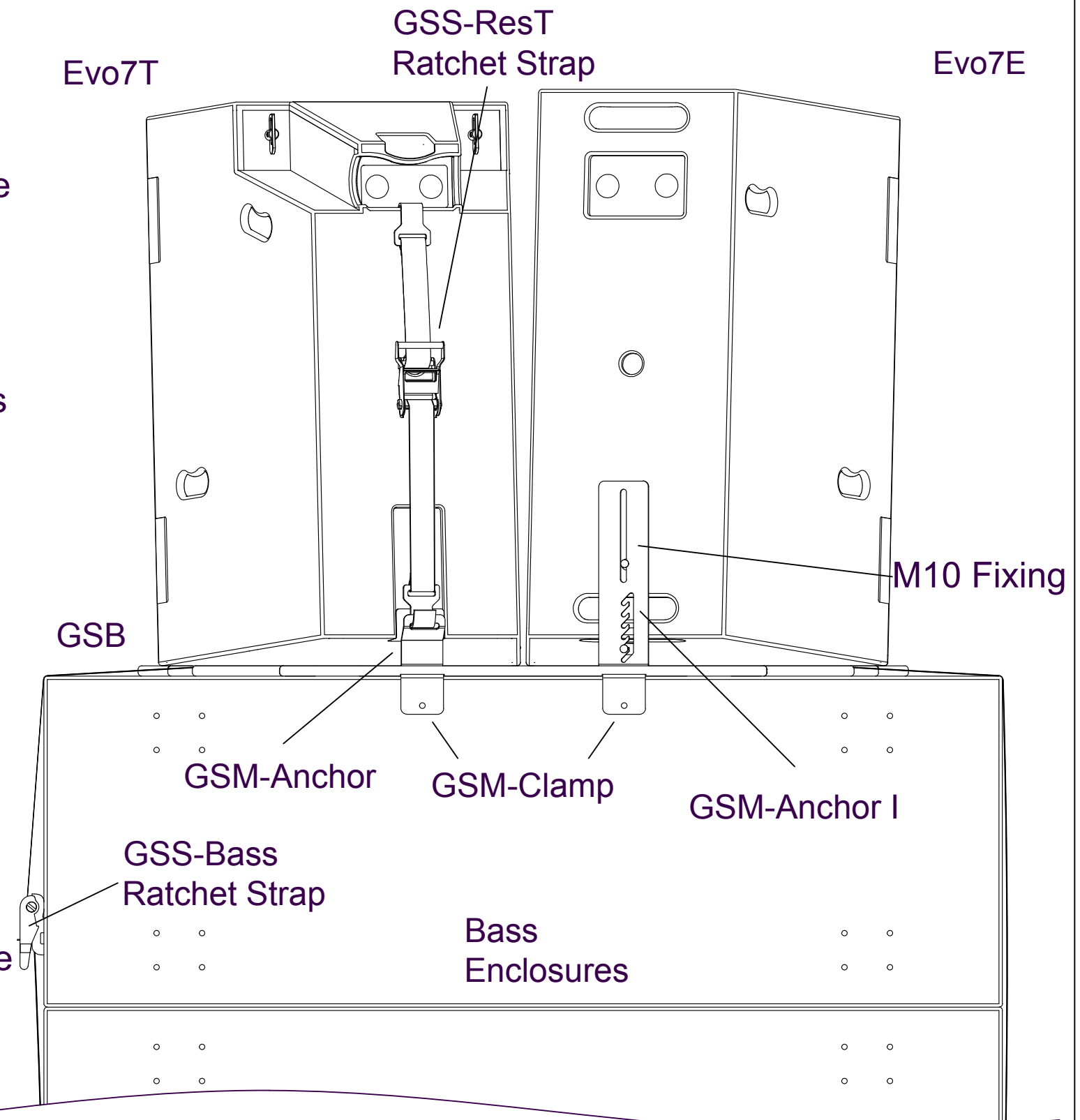
Boards available for many combinations of Evo6s, Evo7s and Evo7Ts with different bass enclosures

### Evo6/Evo7 E:

The lower end of the ResL Strap (**GSS-ResL**) is threaded to the E-Anchor and once threaded can be left attached (see diagram below). The upper end is secured looping it around the handle at the top of the cabinet and hooking it into the ring on the strap. The indexed block in the E-Anchor sets the declination of the enclosure. The strap is tightened just sufficiently to secure the Evo6/Evo7 E. Note, only one row of E enclosures can be used in this way. For Installations the GSM-Anchor I is used, again the indexed block in the anchor sets the declination and the cabinet is secured via the M10 fixing in the back of the cabinet, again only one row of E enclosures can be used in this way.

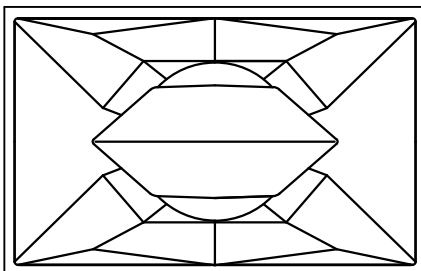
### Evo7 T:

The anchor is used with Touring enclosures only and provides a location for the built in "biscomatic" tongue to set the downward tilt angle. Two rows of Touring enclosures can be used with the board system, using the integral linking system. A **GSS-ResT** strap is required for each anchor position. The ResT strap (**GSS-ResT**) has a hook at each end and runs from the handle below the connector panel in the touring enclosure to the slot present in either type of anchor. This strap is long enough for three vertically liked touring enclosures, although in normal use we advise a maximum of two rows. The E-Anchor provides greater declination than the touring anchor.



All dimensions in mm and inches

Copyright Funktion-One Research Ltd



# FUNKTION-ONE

Hoyle, Horsham Road, Beare Green, Dorking, Surrey, RH5 4PS, England

Phone: +44 (0)1306 712820

Fax: +44 (0)1306 711240



mail@funktion-one.com

www.funktion-one.com

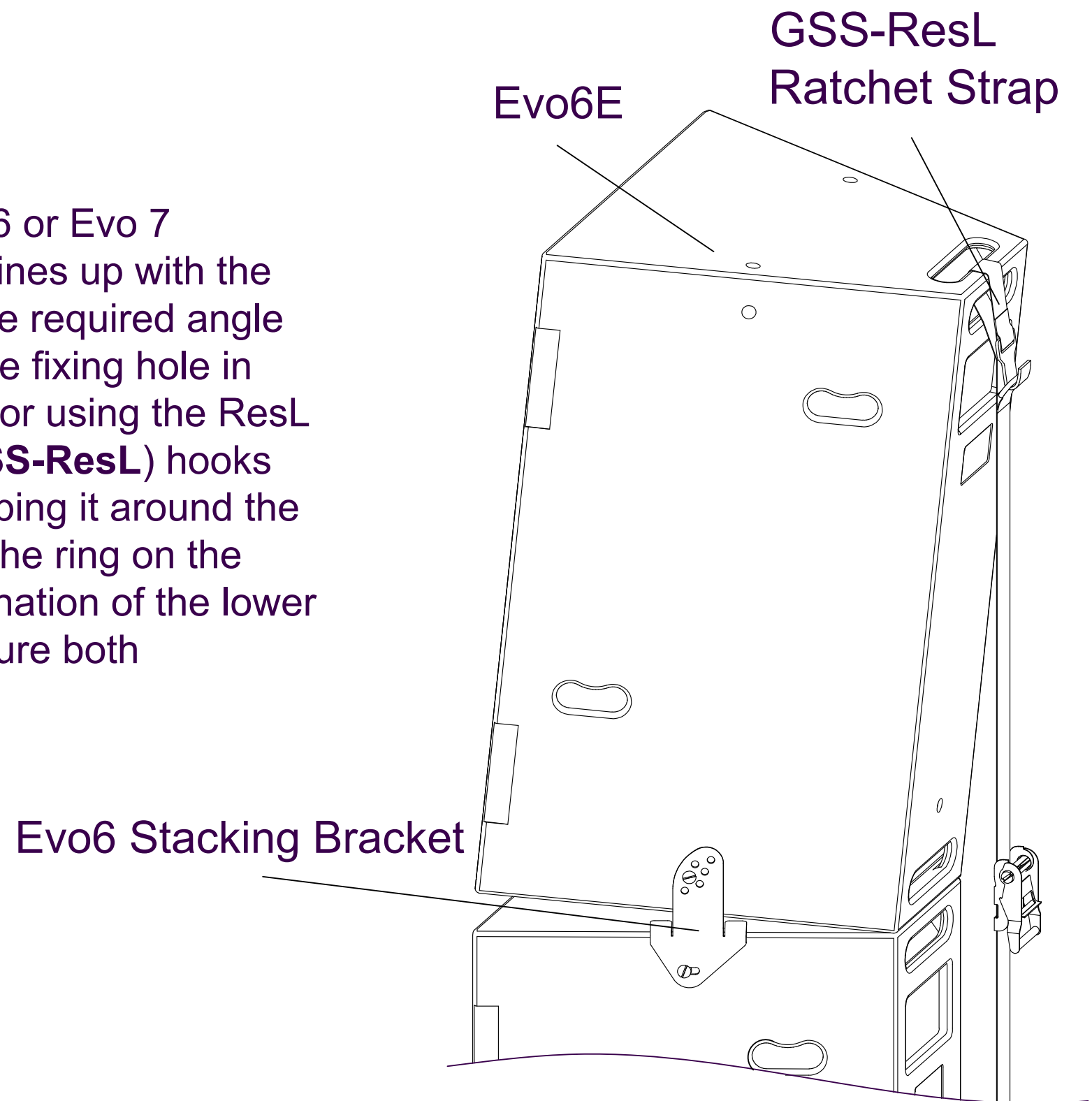
Accessories for: Ground Stack System for Evo Enclosures

Ground Stck Assembly 2

Boards available for many combinations of Evo6s, Evo7s and Evo7Ts with different bass enclosures

### Evo6/Evo7 E Stacking Brackets:

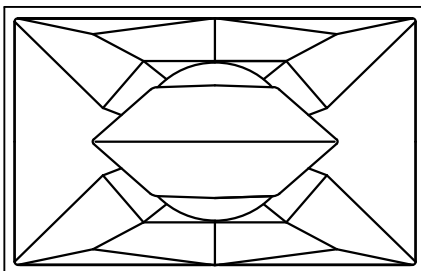
To stack multiply rows of Evo6/Evo7 E enclosures Evo6 or Evo 7 Stacking Brackets can be used. The Stacking Bracket lines up with the M10 fixings in the top and bottom of the enclosures. The required angle of inclination can be chosen by selecting the appropriate fixing hole in the bracket. The Enclosures are secured to the E-Anchor using the ResL Strap (Gss-ResL) The lower end of the ResL Strap (**GSS-ResL**) hooks into the E-Anchor and The upper end is secured by looping it around the top handle of the upper enclosures and hooking it into the ring on the strap. The indexed block in the E-Anchor sets the declination of the lower enclosure. The strap is tightened just sufficiently to secure both enclosures.



*Go to page 9 for more details of straps*

All dimensions in mm and inches

Copyright Funktion-One Research Ltd



**FUNKTION-ONE**

Hoyle, Horsham Road, Beare Green, Dorking, Surrey, RH5 4PS, England

Phone: +44 (0)1306 712820

Fax: +44 (0)1306 711240



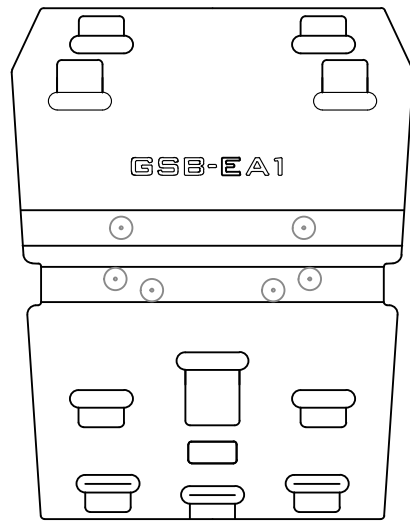
mail@funktion-one.com

www.funktion-one.com

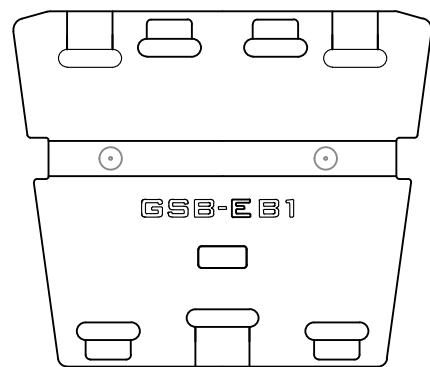
Accessories for: Ground Stack System for Evo Enclosures

Ground Stck Assembly 2

Boards available for many combinations of Evo6s, Evo7s and Evo7Ts with different bass enclosures

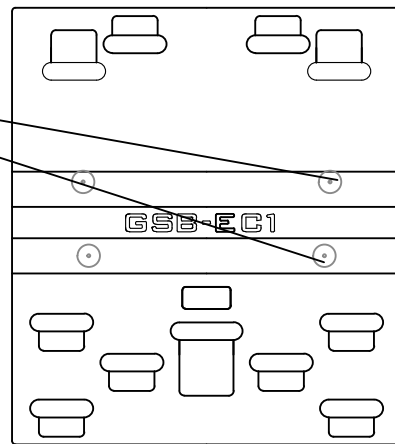


**GSB-EA1** For 1 wide Evo7 or Evo6 on 1 wide F221, F121 or F218



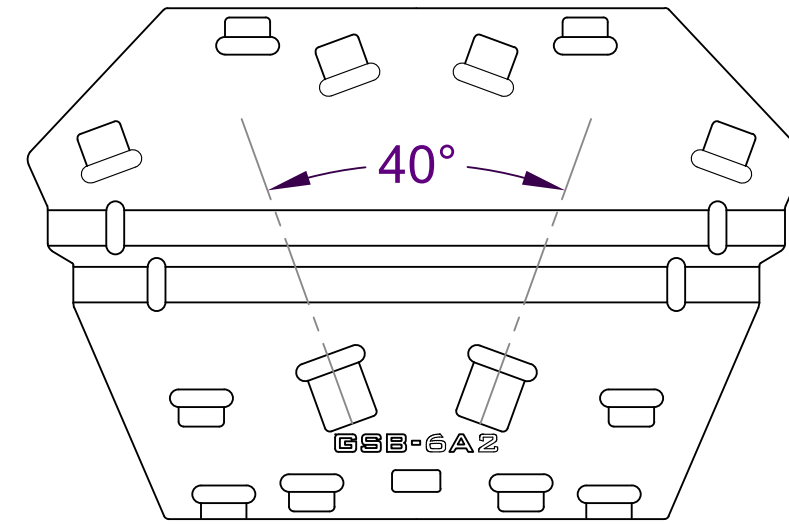
**GSB-EB1** For 1 wide Evo7 or Evo6 on 1 wide F215Mk2

Pucks locate in handle holes of bass enclosure

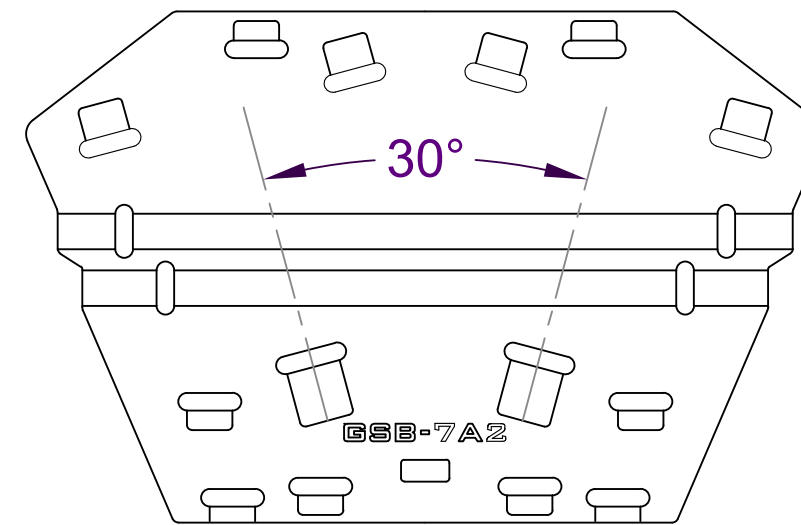


**GSB-EC1** For 1 wide Evo7 or Evo6 on 1 wide BR221, BR121 or BR218

All dimensions in mm and inches



**GSB-6A2** For 2 wide Evo6 on 1 wide F221, F218 or 2 wide F121

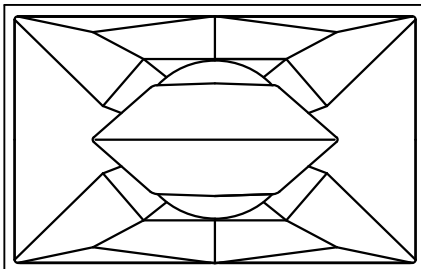


**GSB-7A2** For 2 wide Evo7 on 1 wide F221, F218 or 2 wide F121

Single Evolution GSB Boards are fitted with pucks that locate in the handles of bass enclosures.

Evo6 ground stack boards provide an optimum axis to axis array angle of 40° and Evo7 ground stack boards provide an optimum angle of 30°

Copyright Funktion-One Research Ltd



**FUNKTION-ONE**

Hoyle, Horsham Road, Beare Green, Dorking, Surrey, RH5 4PS, England

Phone: +44 (0)1306 712820

Fax: +44 (0)1306 711240

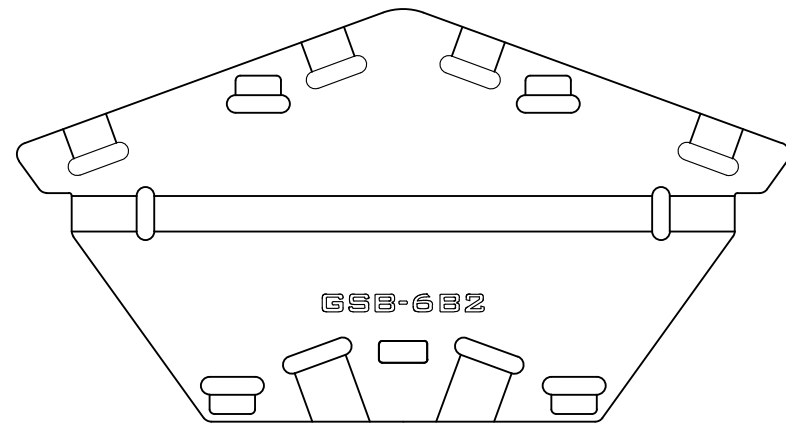


mail@funktion-one.com

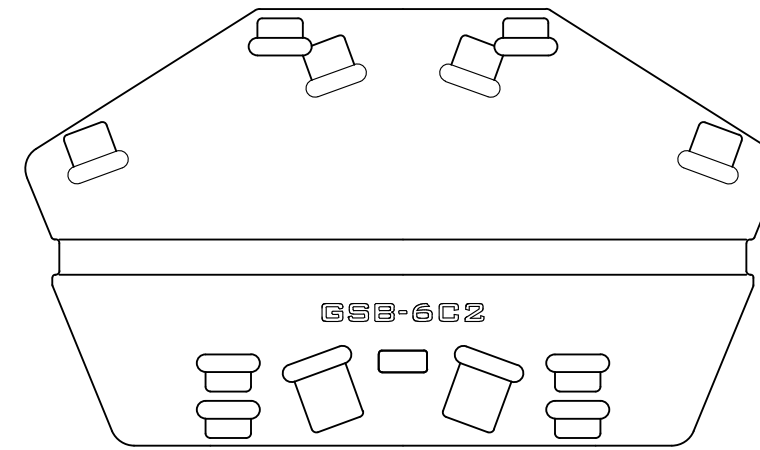
www.funktion-one.com

Accessories for: Ground Stack System for Evo Enclosures - Boards

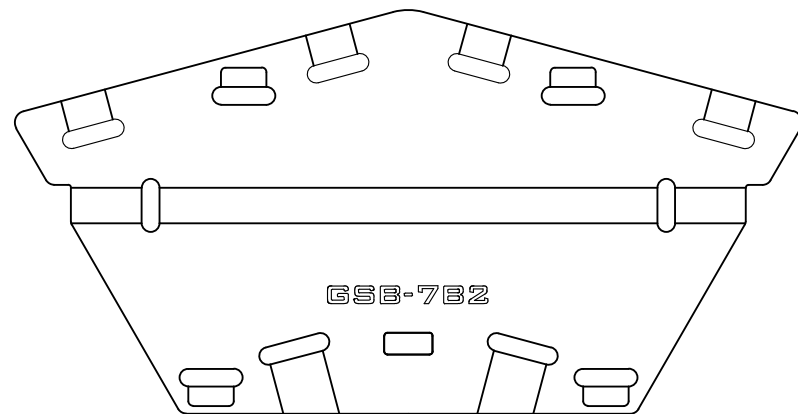
GSB-EA1, , GSB-6A2,  
GSB-EB1, GSB-7A2  
GSB-EC1,



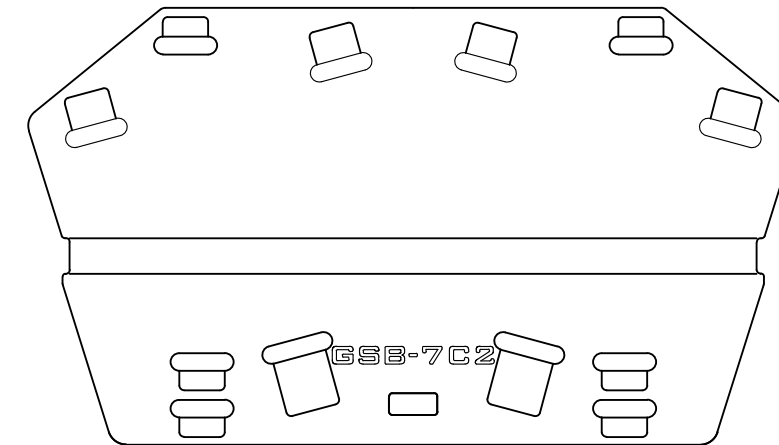
**GSB-6B2** For 2 wide Evo6 on 1 or 2 wide F215Mk2



**GSB-6C2** For 2 wide Evo6 on 1 wide BR221, BR218 or 2 wide BR121



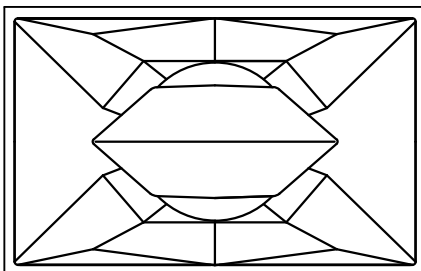
**GSB-7B2** For 2 wide Evo7 on 1 or 2 wide F215Mk2



**GSB-7C2** For 2 wide Evo7 on 1 wide BR221, BR218 or 2 wide BR121

All dimensions in mm and inches

Copyright Funktion-One Research Ltd



**FUNKTION-ONE**

Hoyle, Horsham Road, Beare Green, Dorking, Surrey, RH5 4PS, England

Phone: +44 (0)1306 712820

Fax: +44 (0)1306 711240

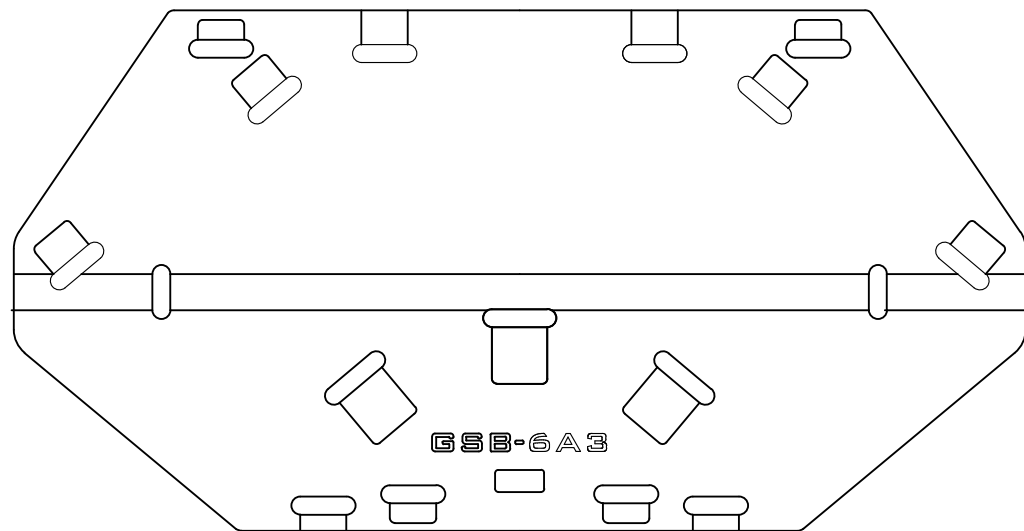


mail@funktion-one.com

www.funktion-one.com

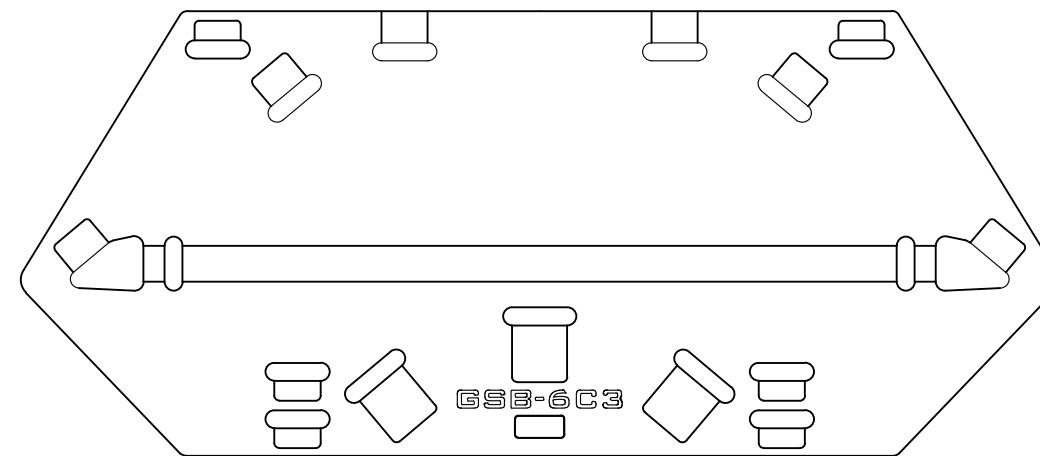
Accessories for: Ground Stack System for Evo Enclosures - Boards

GSB-6B2, GSB-6C2,  
GSB-7B2, GSB-7C2,



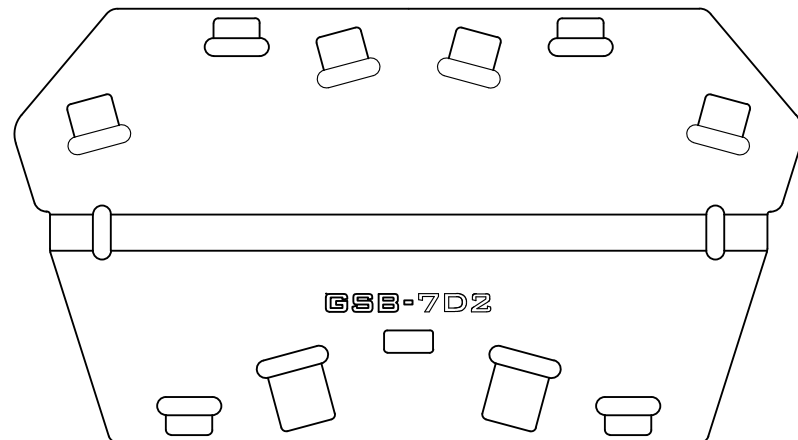
GSB-6A3

**GSB-6A3** For 3 wide Evo6 on 1 wide F221 or 2 wide F121



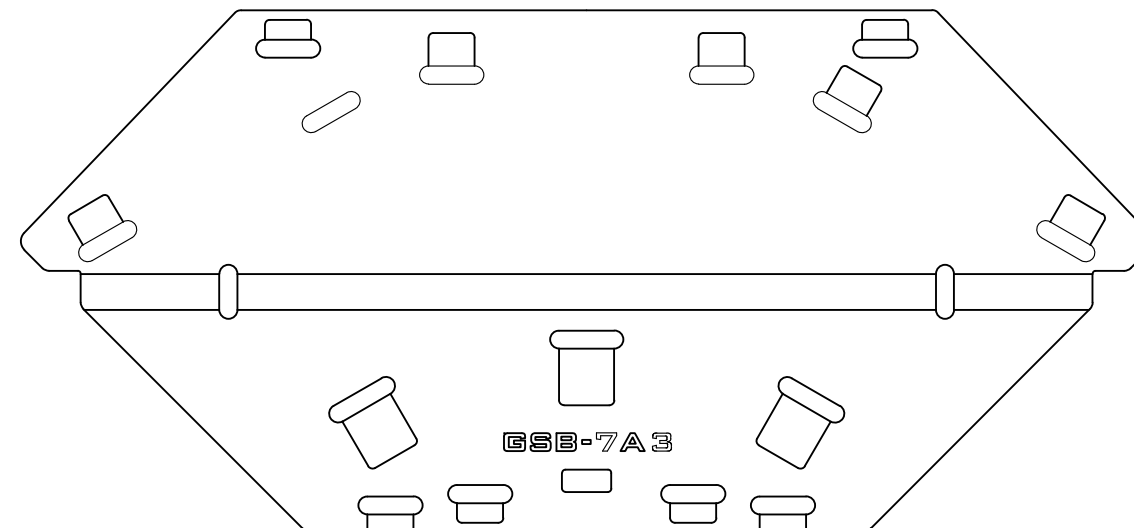
GSB-6C3

**GSB-6C3** For 3 wide Evo6 on 1 wide BR221, BR218 or 2 wide BR121



GSB-7D2

**GSB-7D2** For 2 wide Evo7 on 1 wide F218

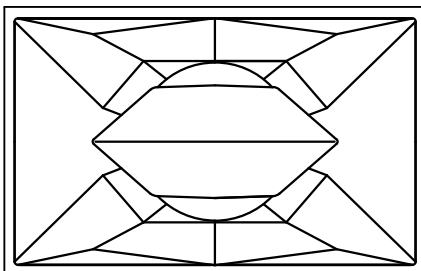


GSB-7A3

**GSB-7A3** For 3 wide Evo7 on 1 or 2 wide F221 or 2 or 3 wide F121

All dimensions in mm and inches

Copyright Funktion-One Research Ltd



**FUNKTION-ONE**

Hoyle, Horsham Road, Beare Green, Dorking, Surrey, RH5 4PS, England

Phone: +44 (0)1306 712820

Fax: +44 (0)1306 711240



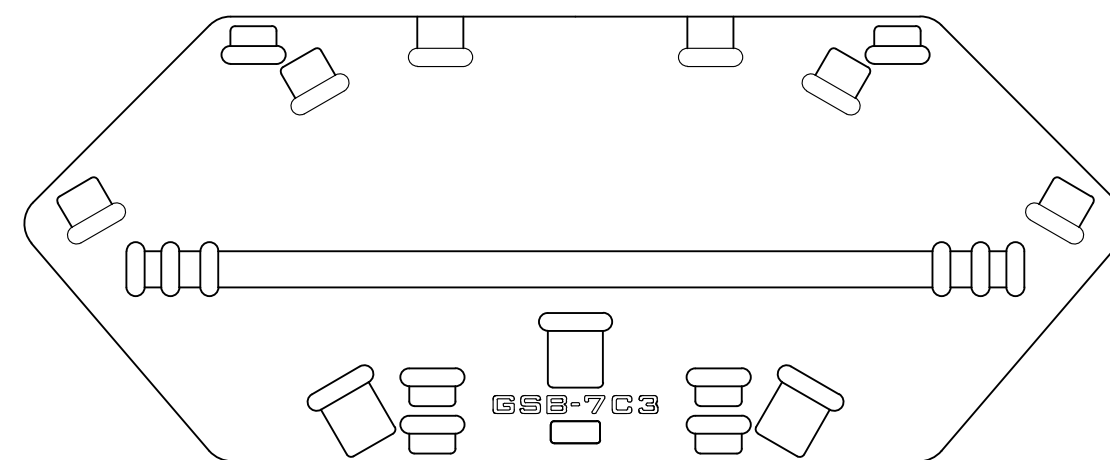
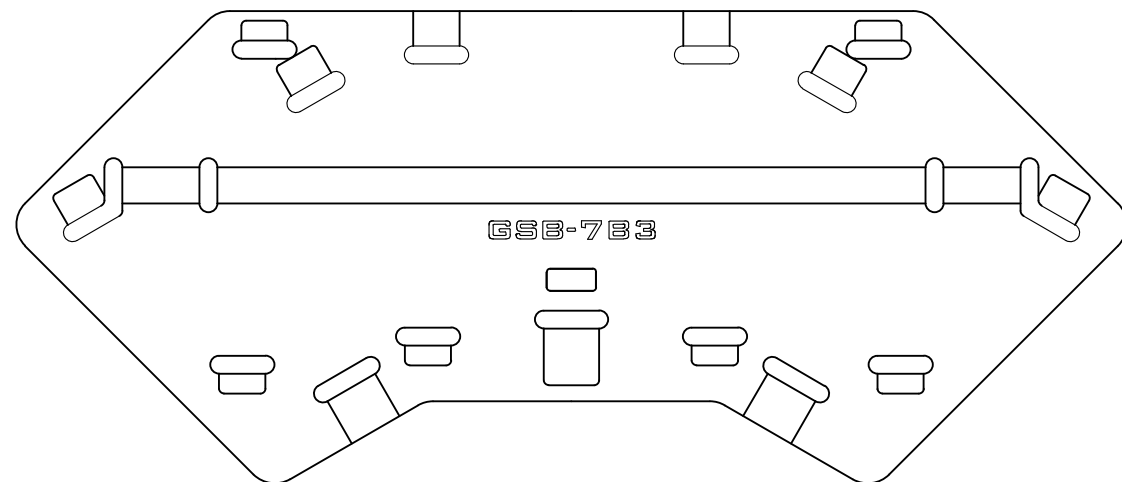
mail@funktion-one.com

www.funktion-one.com

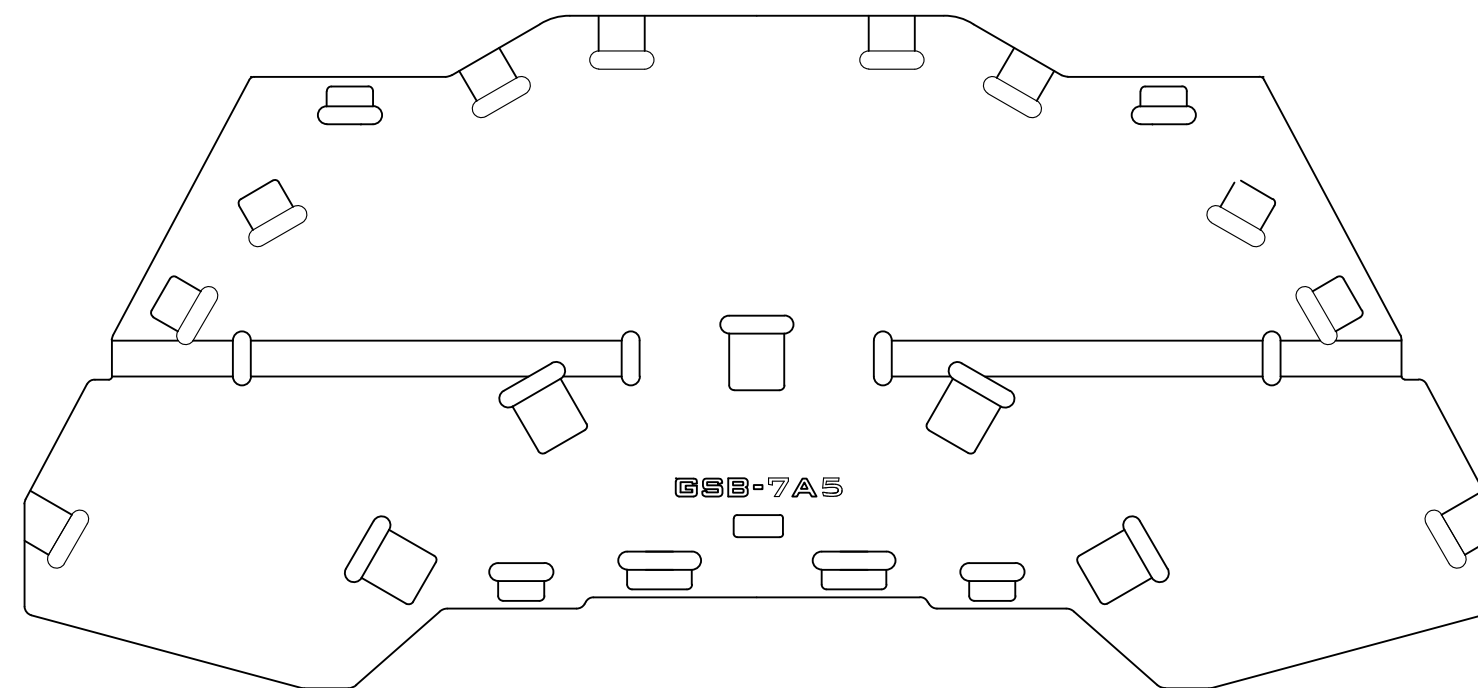
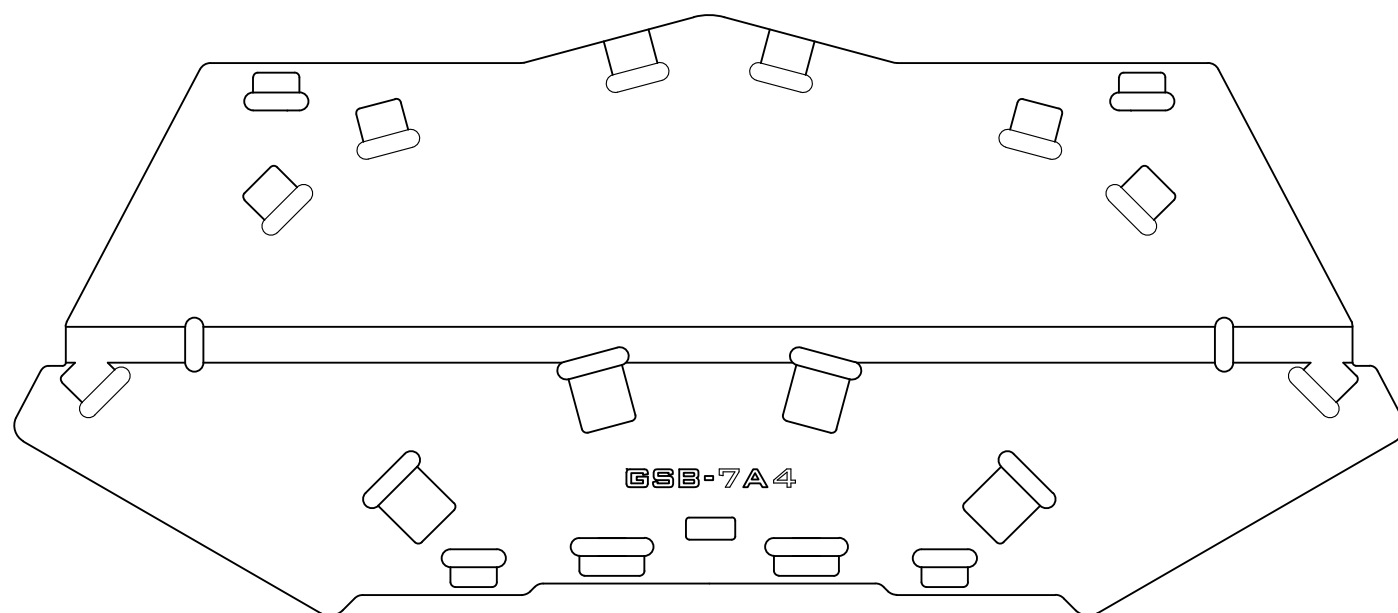
Accessories for: Ground Stack System - Boards (sheet 2)

GSB-6A3, GSB-6C3

GSB-7D2, GSB-7A3



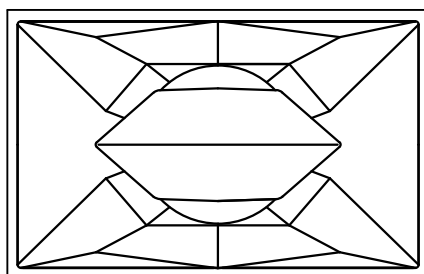
**GSB-7B3** For 3 wide Evo7 on 1 wide F315 or 2 wide F215Mk2    **GSB-7C3** For 3 wide Evo7 on 1 wide BR221, BR218 or 2 wide BR121



**GSB-7A4** For 4 wide Evo7 on 1 or 2 wide F221 or 2 or 3 wide F121    **GSB-7A5** For 5 wide Evo7 on 2 wide F221 or 3 or 4 wide F121

All dimensions in mm and inches

Copyright Funktion-One Research Ltd



**FUNKTION-ONE**

Hoyle, Horsham Road, Beare Green, Dorking, Surrey, RH5 4PS, England

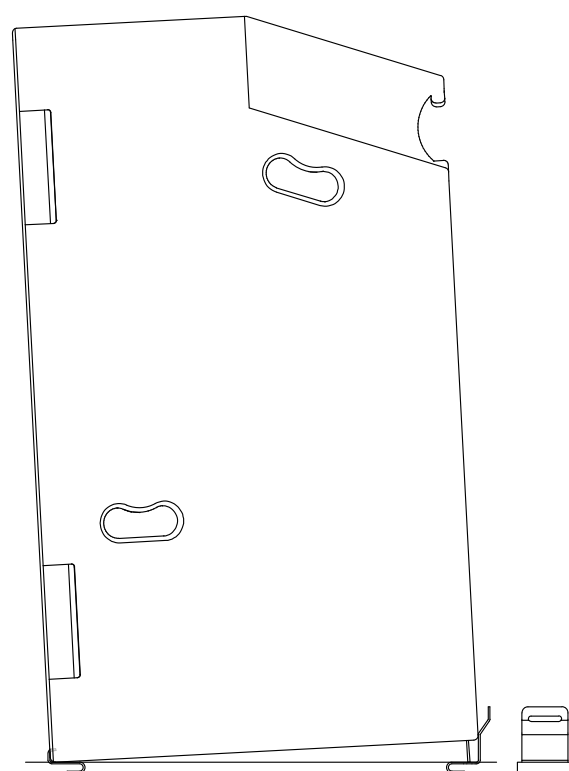
Phone: +44 (0)1306 712820  
Fax: +44 (0)1306 711240



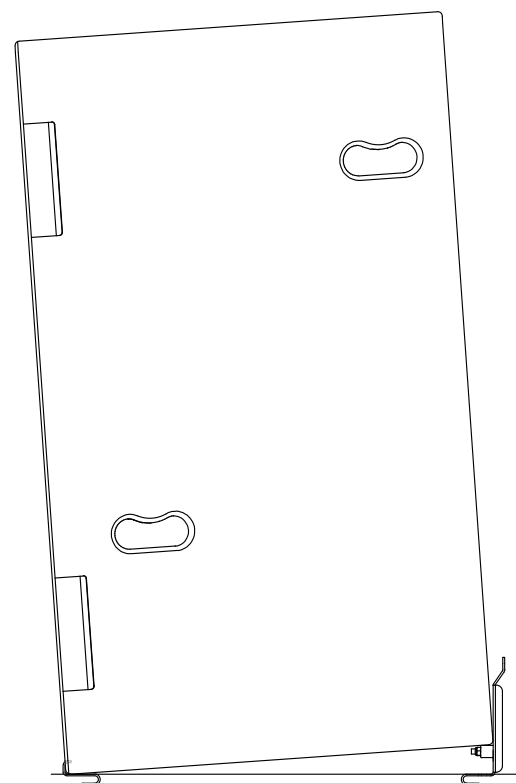
mail@funktion-one.com  
www.funktion-one.com

Accessories for: Ground Stack System - Boards (sheet 2)

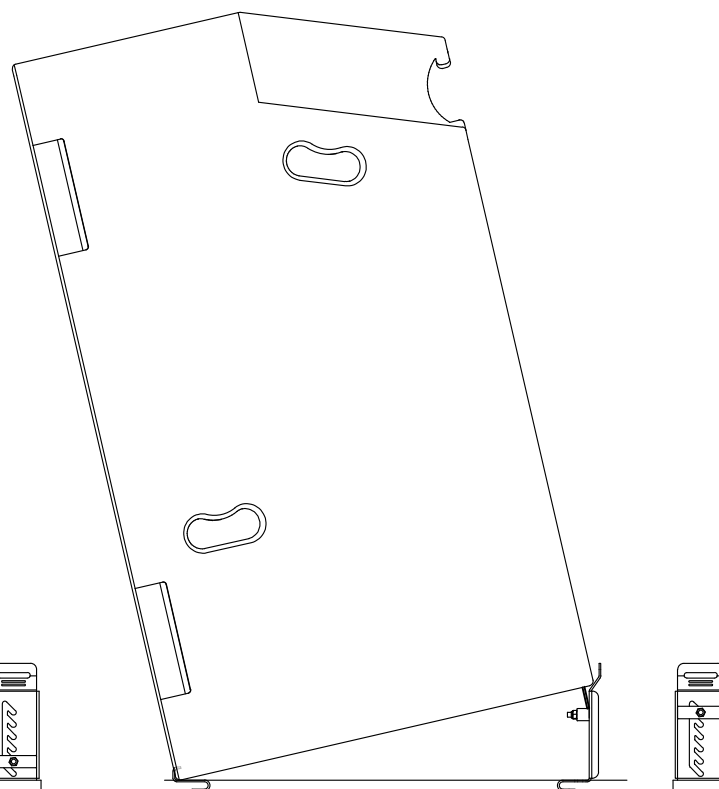
GSB-7B3, GSB-7C3  
GSB-7A4, GSB-7A5



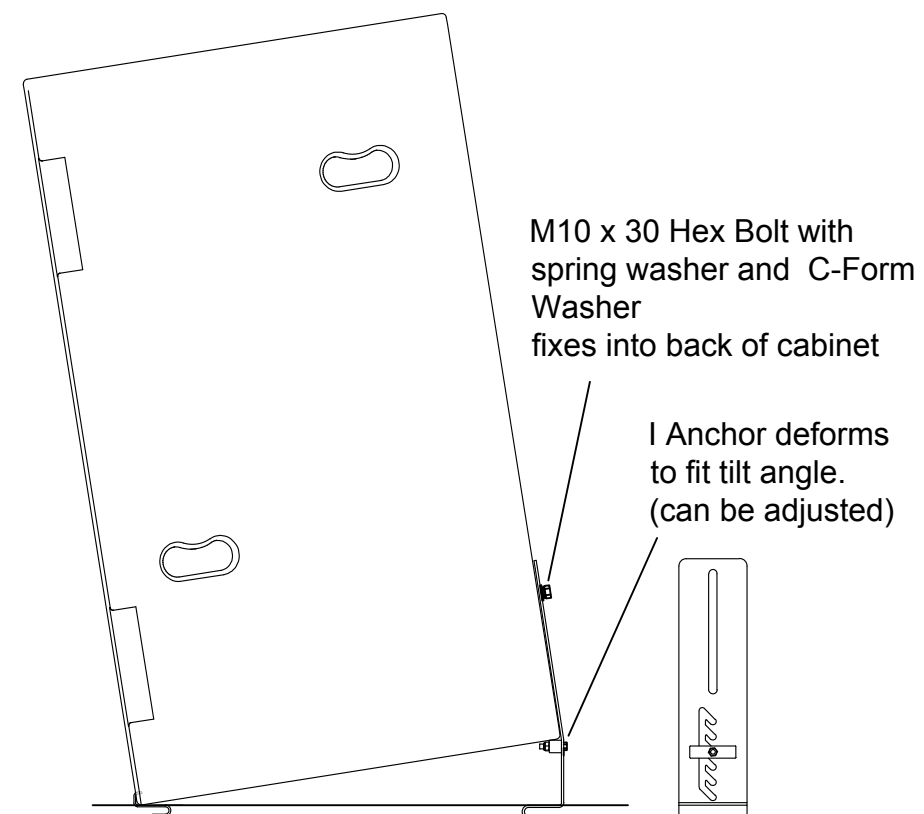
Evo7T Enclosure with  
T-Anchor



Evo7/Evo6E Enclosure with  
E-Anchor



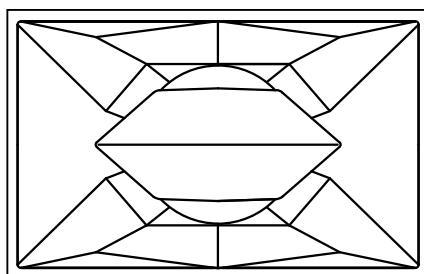
Evo7T Enclosure with E-Anchor.  
Provides maximum declination.



Evo6/Evo7E Enclosure with I-Anchor.  
For fixed installation

All dimensions in mm and inches

Copyright Funktion-One Research Ltd



FUNKTION-ONE

Hoyle, Horsham Road, Beare Green, Dorking, Surrey, RH5 4PS, England

Phone: +44 (0)1306 712820

Fax: +44 (0)1306 711240



mail@funktion-one.com

www.funktion-one.com

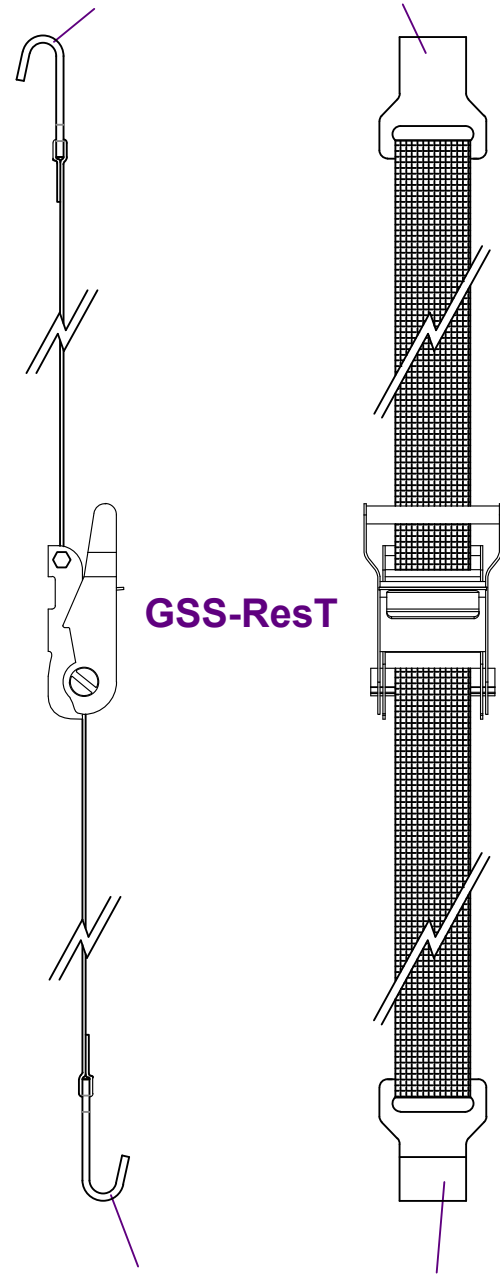
Accessories for: Ground Stack System - Anchor Plates

The E-Anchor can be used with both E and Touring enclosures, providing adjustable declination as shown.

It has a slot at the top for use with touring strap hook and two additional slots to weave the E tilt strap into securely, examples can be seen on the Ground Stack Assembly assembly page.

Straps are not to scale

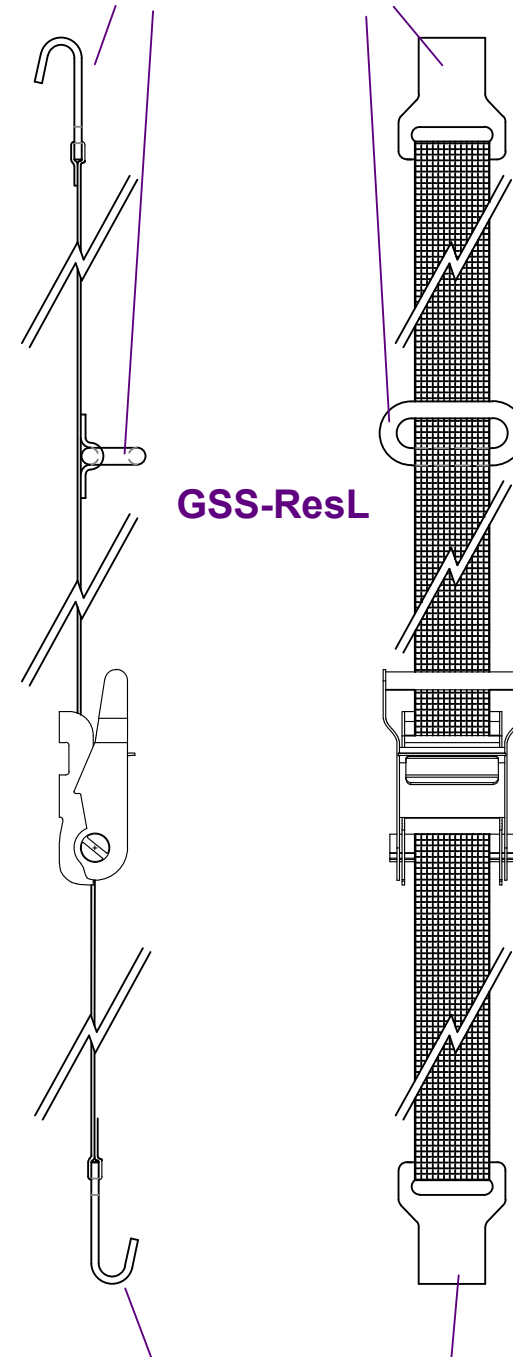
Clips into the top handle of Evo7T



GSS-ResT

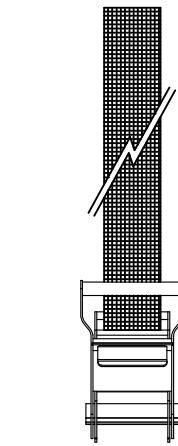
Clips into GSM-AnchorT or AnchorE

Strap loops through top handlebar and hooks into the oval ring



GSS-ResL

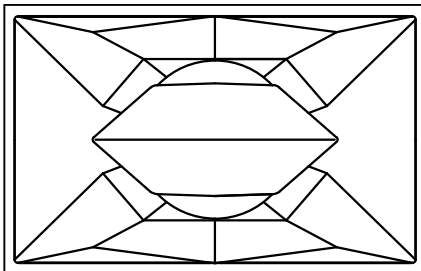
Clips into GSM-AnchorE



GSS-ResEH

All dimensions in mm and inches

Copyright Funktion-One Research Ltd



FUNKTION-ONE

Hoyle, Horsham Road, Beare Green, Dorking, Surrey, RH5 4PS, England

Phone: +44 (0)1306 712820

Fax: +44 (0)1306 711240



mail@funktion-one.com

www.funktion-one.com

Accessories for: Ground Stack System - Tilt Straps

GSS-ResT - Ratchet strap to secure one or two Evo7T to GSM-AnchorT

GSS-ResL - Ratchet strap for Evo6/Evo7 E groundstacking

GSS-ResEH - 1.4m length lightweight ratchet for "EH" cabinets